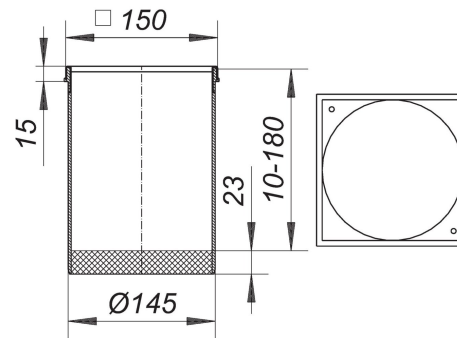


21. November 2019

DALLMER**frame S 15, 304 stainless steel, 150 x 150 mm**

Product No. **500625**
 EAN: 4001636500625
 Discount group: 3



used with floor drain types 54/55, 57/58, 61 and 61/1
 frame 304 or 316 stainless steel, with threaded inserts,
 spigot polypropylene

304 stainless steel, 150 x 150 mm

Product No.	Description	Dimensions
591005	extension S 15	
591012	extension S 15, side inlet DN 40	
542052	Floor drain body type 54 DallBit, DN 50/DN 70	DN 50/DN 70
541055	Floor drain body type 54, DN 50/DN 70	DN 50/DN 70
551054	Floor drain body type 55, inlet DN 50, DN 50/DN 70	DN 50/DN 70
572073	Floor drain body type 57 DallBit, DN 70/DN 100	DN 70/DN 100
571076	Floor drain body type 57, DN 70/DN 100	DN 70/DN 100
582072	Floor drain body type 58 DallBit, inlet DN 50, DN 70/DN 100	DN 70/DN 100
581075	Floor drain body type 58, inlet DN 50, DN 50/DN 100	DN 70/DN 100
612762	floor drain body type 61 GA DallBit, DN 100 SML	DN 100 SML
612724	floor drain body type 61 GA DallBit, DN 50 SML	DN 50 SML
612748	floor drain body type 61 GA DallBit, DN 70 SML	DN 70 SML
611765	floor drain body type 61 GA, DN 100 SML	DN 100 SML
611727	floor drain body type 61 GA, DN 50 SML	DN 50 SML
611741	floor drain body type 61 GA, DN 70 SML	DN 70 SML
612892	floor drain body type 61 HT DallBit PP NIRO, DN 100	DN 100
612847	floor drain body type 61 HT DallBit PP NIRO, DN 70	DN 70

21. November 2019

DALLMER

612069	Floor drain body type 61 HT DallBit, DN 100	DN 100
612021	Floor drain body type 61 HT DallBit, DN 50	DN 50
612052	Floor drain body type 61 HT DallBit, DN 50/DN 70	DN 50/DN 70
611062	Floor drain body type 61 HT, DN 100	DN 100
611024	Floor drain body type 61 HT, DN 50	DN 50
611055	Floor drain body type 61 HT, DN 50/DN 70	DN 50/DN 70
611895	floor drain body type 61 HT, PP-NIRO, DN 100	DN 100
611840	floor drain body type 61 HT, PP-NIRO, DN 70	DN 70
612557	floor drain body type 61/1 HT DallBit, inlet DN 50, DN 50/DN 70	DN 50/DN 70
611550	floor drain body type 61/1 HT, inlet DN 50, DN 50/DN 70	DN 50/DN 70
502315	grate Cut 140	140 x 140 mm
501110	grate E 140, 140 x 140 mm	140 x 140 mm
501219	grate EN 140, 140 x 140 mm	140 x 140 mm
501127	grate ES 140, massive, 140 x 140 mm	140 x 140 mm
501172	grate K 140, polyamide, 140 x 140 mm	140 x 140 mm
501226	grate Quadra 140	
501530	grate QuadraStone 140 Azul Bahia	
501523	grate QuadraStone 140 Nero Assoluto Zimbabwe	
501561	grate QuadraStone 140 Padang light grey	
501547	grate QuadraStone 140 Rosso Verona	
501509	grate QuadraStone Individuell 140	
501783	grate RHS 140, 1.5 mm, non-slip, secured, 140 x 140 mm	140 x 140 mm
501141	grate RHS 140, massive, non-slip, 140 x 140 mm	140 x 140 mm
591050	hair sieve S 15, d: 144 mm	d: 144 mm
562005	raising piece type 550 DallBit S 15	
560001	raising piece type 550 with sealing kit S 15	
560018	raising piece type 550 without sealing kit S 15	