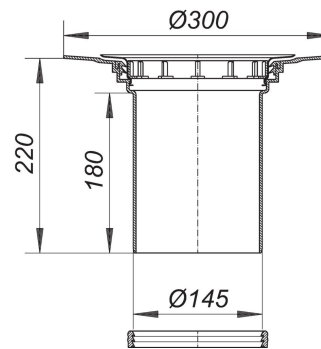


21. November 2019

DALLMER**raising piece type 550 with sealing kit S 15**

Product No. **560001**
 EAN: 4001636560001
 Discount group: 3



used with floor drain types 54/55, 57/58, 61 and 61/1

specification:
 - S 15 seal
 - temporary blanking plate

material:
 polypropylene

Product No.	Description	Dimensions
560018	raising piece type 550 without sealing kit S 15	
560506	sealing kit S 15	
590084	support ring, white	

Product No.	Description	Dimensions
693006	Back flow seal CeraDrain S 15	
590022	back flow seal S 15	
591005	extension S 15	
591012	extension S 15, side inlet DN 40	
542052	Floor drain body type 54 DallBit, DN 50/DN 70	DN 50/DN 70
541055	Floor drain body type 54, DN 50/DN 70	DN 50/DN 70

21. November 2019

DALLMER

552051	Floor drain body type 55 DallBit, inlet DN 50, DN 50/DN 70	DN 50/DN 70
551054	Floor drain body type 55, inlet DN 50, DN 50/DN 70	DN 50/DN 70
572073	Floor drain body type 57 DallBit, DN 70/DN 100	DN 70/DN 100
571076	Floor drain body type 57, DN 70/DN 100	DN 70/DN 100
582072	Floor drain body type 58 DallBit, inlet DN 50, DN 70/DN 100	DN 70/DN 100
581075	Floor drain body type 58, inlet DN 50, DN 50/DN 100	DN 70/DN 100
612762	floor drain body type 61 GA DallBit, DN 100 SML	DN 100 SML
612724	floor drain body type 61 GA DallBit, DN 50 SML	DN 50 SML
612748	floor drain body type 61 GA DallBit, DN 70 SML	DN 70 SML
611765	floor drain body type 61 GA, DN 100 SML	DN 100 SML
611727	floor drain body type 61 GA, DN 50 SML	DN 50 SML
611741	floor drain body type 61 GA, DN 70 SML	DN 70 SML
612892	floor drain body type 61 HT DallBit PP NIRO, DN 100	DN 100
612847	floor drain body type 61 HT DallBit PP NIRO, DN 70	DN 70
612069	Floor drain body type 61 HT DallBit, DN 100	DN 100
612021	Floor drain body type 61 HT DallBit, DN 50	DN 50
612052	Floor drain body type 61 HT DallBit, DN 50/DN 70	DN 50/DN 70
611062	Floor drain body type 61 HT, DN 100	DN 100
611024	Floor drain body type 61 HT, DN 50	DN 50
611055	Floor drain body type 61 HT, DN 50/DN 70	DN 50/DN 70
611895	floor drain body type 61 HT, PP-NIRO, DN 100	DN 100
611840	floor drain body type 61 HT, PP-NIRO, DN 70	DN 70
612557	floor drain body type 61/1 HT DallBit, inlet DN 50, DN 50/DN 70	DN 50/DN 70
611550	floor drain body type 61/1 HT, inlet DN 50, DN 50/DN 70	DN 50/DN 70
551153	floor drain type 55 E, DN 50/DN 70, 100 x 100 mm	DN 50/DN 70, 100 x 100 mm
551252	floor drain type 55 KE, DN 50/DN 70, 150 x 150 mm	DN 50/DN 70, 150 x 150 mm
611154	floor drain type 61 HT/E, DN 50/DN 70, 100 x 100 mm	DN 50/DN 70, 100 x 100 mm
611260	floor drain type 61 HT/KE, DN 100, 150 x 150 mm	DN 100, 150 x 150 mm
611253	floor drain type 61 HT/KE, DN 50/DN 70, 150 x 150 mm	DN 50/DN 70, 150 x 150 mm
500519	frame E 15, 100 x 100 mm	100 x 100 mm
500564	frame ECS 15, 100 x 100 mm	100 x 100 mm
500700	frame GES 15, 200 x 200 mm	200 x 200 mm
500670	frame K 15, 150 x 150 mm	150 x 150 mm
500571	frame PVC 15, 150 x 150 mm	150 x 150 mm
500625	frame S 15, 304 stainless steel, 150 x 150 mm	150 x 150 mm
500601	frame S 15/120	d: 120 mm
500755	frame VER 15, 304 stainless steel, d: 155 mm	d: 155 mm
500663	frame VS 15, 150 x 150 mm	150 x 150 mm
500182	grating DES 15, cover plate stainless steel, 150 x 150 mm	150 x 150 mm
500014	grating E 15, 100 x 100 mm	100 x 100 mm
500052	grating EC 15, 100 x 100 mm	100 x 100 mm
500076	grating ECN 15, secured grate, 100 x 100 mm	100 x 100 mm
500069	grating ECS 15, massive grate, secured, 100 x 100 mm	100 x 100 mm
500083	grating EN 15, secured grate, 100 x 100 mm	100 x 100 mm
500205	grating GES 15, massiv grate, secured, 200 x 200 mm	200 x 200 mm
500175	grating K 15, polyamide grate, 150 x 150 mm	150 x 150 mm
500113	grating KE 15, 150 x 150 mm	150 x 150 mm
500229	grating KEN 15, secured grate, 150 x 150 mm	150 x 150 mm
500137	grating PVC-E 15, 150 x 150 mm	150 x 150 mm

21. November 2019

DALLMER

500236	grating PVC-EN 15, secured grate, 150 x 150 mm	150 x 150 mm
500335	grating PVC-ES 15, massive grate, secured, 150 x 150 mm	150 x 150 mm
500410	grating Quadra S 15, 150 x 150 mm	
500434	grating RHS 15, 1.5 mm grate, non-slip, secured, 150 x 150 mm	150 x 150 mm
500144	grating RHS 15, massive grate, non-slip, secured, 150 x 150 mm	150 x 150 mm
500298	grating SEC 15, 150 x 150 mm	150 x 150 mm
500281	grating SEN 15, secured grate, 150 x 150 mm	150 x 150 mm
500120	grating SES 15, massive grate, secured, 150 x 150 mm	150 x 150 mm
500151	grating VEC 15, laterally adjustable, 150 x 150 mm	150 x 150 mm
500243	grating VEN 15, laterally adjustable, secured, 150 x 150 mm	150 x 150 mm
500250	grating VER 15, d: 155 mm	d: 155 mm
500168	grating VES 15, laterally adjustable, secured, 150 x 150 mm	150 x 150 mm
790125	waterproofing collar S 15, EPDM, d: 500 mm	d: 500 mm
790118	waterproofing collar S 15, flexible PVC, d: 500 mm	d: 500 mm