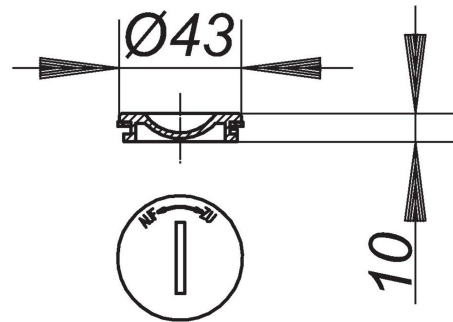


21. November 2019

DALLMER**screwed plug for 54, 55, 57, 57 AK, 58, 71**

Product No. **590015**
 EAN: 4001636590015
 Discount group: 3



spare part, screwed plug for the rodding eye in drain bodies type 54, 55, 57, 58 and utility drains type 57 AK und 71

material:
 polypropylene

Product No.	Description	Dimensions
542052	Floor drain body type 54 DallBit, DN 50/DN 70	DN 50/DN 70
541055	Floor drain body type 54, DN 50/DN 70	DN 50/DN 70
552051	Floor drain body type 55 DallBit, inlet DN 50, DN 50/DN 70	DN 50/DN 70
551054	Floor drain body type 55, inlet DN 50, DN 50/DN 70	DN 50/DN 70
572073	Floor drain body type 57 DallBit, DN 70/DN 100	DN 70/DN 100
571076	Floor drain body type 57, DN 70/DN 100	DN 70/DN 100
582072	Floor drain body type 58 DallBit, inlet DN 50, DN 70/DN 100	DN 70/DN 100
581075	Floor drain body type 58, inlet DN 50, DN 50/DN 100	DN 70/DN 100
590053	trap insert for 57, 57 AK , 58	
710062	utility drain type 71, DN 100	DN 100
710161	utility drain type 71/1, DN 50 side inlet, DN 100	DN 100
710369	utility drain type 71/3, DN 70 side inlet, DN 100	DN 100