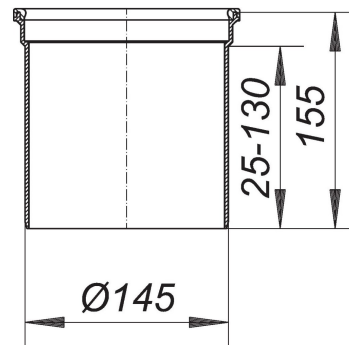


21. November 2019

DALLMER**extension S 15**

Product No. **591005**
 EAN: 4001636591005
 Discount group: 3



for all gratings S 15
 length 155 mm, cut to suit on site,
 push fit seal

material:
 polypropylene

| Product No. | Description | Dimensions |
|-------------|---|--------------|
| 590022 | back flow seal S 15 | |
| 563002 | Collar CeraDrain S 15 | |
| 563200 | Collar TistoDrain S 15 | |
| 542052 | Floor drain body type 54 DallBit, DN 50/DN 70 | DN 50/DN 70 |
| 541055 | Floor drain body type 54, DN 50/DN 70 | DN 50/DN 70 |
| 552051 | Floor drain body type 55 DallBit, inlet DN 50, DN 50/DN 70 | DN 50/DN 70 |
| 551054 | Floor drain body type 55, inlet DN 50, DN 50/DN 70 | DN 50/DN 70 |
| 572073 | Floor drain body type 57 DallBit, DN 70/DN 100 | DN 70/DN 100 |
| 571076 | Floor drain body type 57, DN 70/DN 100 | DN 70/DN 100 |
| 582072 | Floor drain body type 58 DallBit, inlet DN 50, DN 70/DN 100 | DN 70/DN 100 |
| 581075 | Floor drain body type 58, inlet DN 50, DN 50/DN 100 | DN 70/DN 100 |
| 612762 | floor drain body type 61 GA DallBit, DN 100 SML | DN 100 SML |
| 612724 | floor drain body type 61 GA DallBit, DN 50 SML | DN 50 SML |
| 612748 | floor drain body type 61 GA DallBit, DN 70 SML | DN 70 SML |
| 611765 | floor drain body type 61 GA, DN 100 SML | DN 100 SML |

21. November 2019

DALLMER

| | | |
|--------|---|---------------------------|
| 611727 | floor drain body type 61 GA, DN 50 SML | DN 50 SML |
| 611741 | floor drain body type 61 GA, DN 70 SML | DN 70 SML |
| 612847 | floor drain body type 61 HT DallBit PP NIRO, DN 70 | DN 70 |
| 612069 | Floor drain body type 61 HT DallBit, DN 100 | DN 100 |
| 612021 | Floor drain body type 61 HT DallBit, DN 50 | DN 50 |
| 612052 | Floor drain body type 61 HT DallBit, DN 50/DN 70 | DN 50/DN 70 |
| 611062 | Floor drain body type 61 HT, DN 100 | DN 100 |
| 611024 | Floor drain body type 61 HT, DN 50 | DN 50 |
| 611055 | Floor drain body type 61 HT, DN 50/DN 70 | DN 50/DN 70 |
| 611895 | floor drain body type 61 HT, PP-NIRO, DN 100 | DN 100 |
| 611840 | floor drain body type 61 HT, PP-NIRO, DN 70 | DN 70 |
| 612557 | floor drain body type 61/1 HT DallBit, inlet DN 50, DN 50/DN 70 | DN 50/DN 70 |
| 611550 | floor drain body type 61/1 HT, inlet DN 50, DN 50/DN 70 | DN 50/DN 70 |
| 551153 | floor drain type 55 E, DN 50/DN 70, 100 x 100 mm | DN 50/DN 70, 100 x 100 mm |
| 551252 | floor drain type 55 KE, DN 50/DN 70, 150 x 150 mm | DN 50/DN 70, 150 x 150 mm |
| 611154 | floor drain type 61 HT/E, DN 50/DN 70, 100 x 100 mm | DN 50/DN 70, 100 x 100 mm |
| 611260 | floor drain type 61 HT/KE, DN 100, 150 x 150 mm | DN 100, 150 x 150 mm |
| 611253 | floor drain type 61 HT/KE, DN 50/DN 70, 150 x 150 mm | DN 50/DN 70, 150 x 150 mm |
| 500519 | frame E 15, 100 x 100 mm | 100 x 100 mm |
| 500564 | frame ECS 15, 100 x 100 mm | 100 x 100 mm |
| 500700 | frame GES 15, 200 x 200 mm | 200 x 200 mm |
| 500670 | frame K 15, 150 x 150 mm | 150 x 150 mm |
| 500571 | frame PVC 15, 150 x 150 mm | 150 x 150 mm |
| 500625 | frame S 15, 304 stainless steel, 150 x 150 mm | 150 x 150 mm |
| 500601 | frame S 15/120 | d: 120 mm |
| 500755 | frame VER 15, 304 stainless steel, d: 155 mm | d: 155 mm |
| 500663 | frame VS 15, 150 x 150 mm | 150 x 150 mm |
| 500182 | grating DES 15, cover plate stainless steel, 150 x 150 mm | 150 x 150 mm |
| 500014 | grating E 15, 100 x 100 mm | 100 x 100 mm |
| 500052 | grating EC 15, 100 x 100 mm | 100 x 100 mm |
| 500076 | grating ECN 15, secured grate, 100 x 100 mm | 100 x 100 mm |
| 500069 | grating ECS 15, massive grate, secured, 100 x 100 mm | 100 x 100 mm |
| 500083 | grating EN 15, secured grate, 100 x 100 mm | 100 x 100 mm |
| 500205 | grating GES 15, massiv grate, secured, 200 x 200 mm | 200 x 200 mm |
| 500175 | grating K 15, polyamide grate, 150 x 150 mm | 150 x 150 mm |
| 500113 | grating KE 15, 150 x 150 mm | 150 x 150 mm |
| 500229 | grating KEN 15, secured grate, 150 x 150 mm | 150 x 150 mm |
| 500137 | grating PVC-E 15, 150 x 150 mm | 150 x 150 mm |
| 500236 | grating PVC-EN 15, secured grate, 150 x 150 mm | 150 x 150 mm |
| 500335 | grating PVC-ES 15, massive grate, secured, 150 x 150 mm | 150 x 150 mm |
| 500410 | grating Quadra S 15, 150 x 150 mm | |
| 500144 | grating RHS 15, massive grate, non-slip, secured, 150 x 150 mm | 150 x 150 mm |
| 500298 | grating SEC 15, 150 x 150 mm | 150 x 150 mm |
| 500281 | grating SEN 15, secured grate, 150 x 150 mm | 150 x 150 mm |
| 500120 | grating SES 15, massive grate, secured, 150 x 150 mm | 150 x 150 mm |
| 500151 | grating VEC 15, laterally adjustable, 150 x 150 mm | 150 x 150 mm |
| 500243 | grating VEN 15, laterally adjustable, secured, 150 x 150 mm | 150 x 150 mm |
| 500250 | grating VER 15, d: 155 mm | d: 155 mm |
| 500168 | grating VES 15, laterally adjustable, secured, 150 x 150 mm | 150 x 150 mm |

21. November 2019

DALLMER

| | | |
|--------|---|--------|
| 562005 | raising piece type 550 DallBit S 15 | |
| 560001 | raising piece type 550 with sealing kit S 15 | |
| 560018 | raising piece type 550 without sealing kit S 15 | |
| 570901 | utility drain type 57 AK Primus, DN 100 | DN 100 |
| 610867 | utility drain type 61 AK, DN 100 | DN 100 |